

Ways We Travel

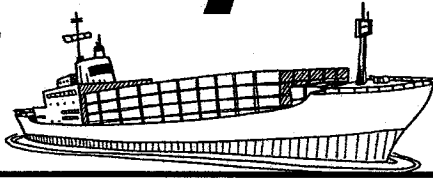


Table of Contents

Learning Objectives	2
List of Resources	2 - 3
List of Vocabulary	4 - 6
Teacher Input Suggestions	
• Planning Ahead	6 - 7
• Introductions	7 - 8
• Bulletin Board Displays	8
• Discussion Topics	9 - 13
Poetry Selections	13 - 15
Music Selections	15 - 17
List of Skills	18
Visual Discrimination Activities	19 - 20 & 27 - 41
Phonics Activities	21 - 22 & 42 - 53
Association Activities	22 & 54 - 60
Classification Activities	23 & 61 - 64
Colouring Activities	24 & 65 - 66
Sequencing Activities	24 - 25 & 67 - 73
Mathematics Activities	25 - 26 & 74 - 83
Reproducible Storybook	26 & 84 - 92
Reproducible Blanks	93 - 96

© Ruth Solski

Illustrated by Sean Parkes

Permission is granted to the individual teacher who purchases one copy of the book called "**Ways We Travel**", to reproduce the activities for use in his/her classroom **only**. Reproduction of these materials for an entire school or for a school system or for other colleagues or for commercial sale is **strictly prohibited**.

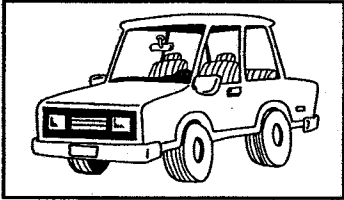
ISBN 1-55035-500-7

V.D. #1

Ways We Travel

Match the word to its picture.

e.g.



car

V.D. #2

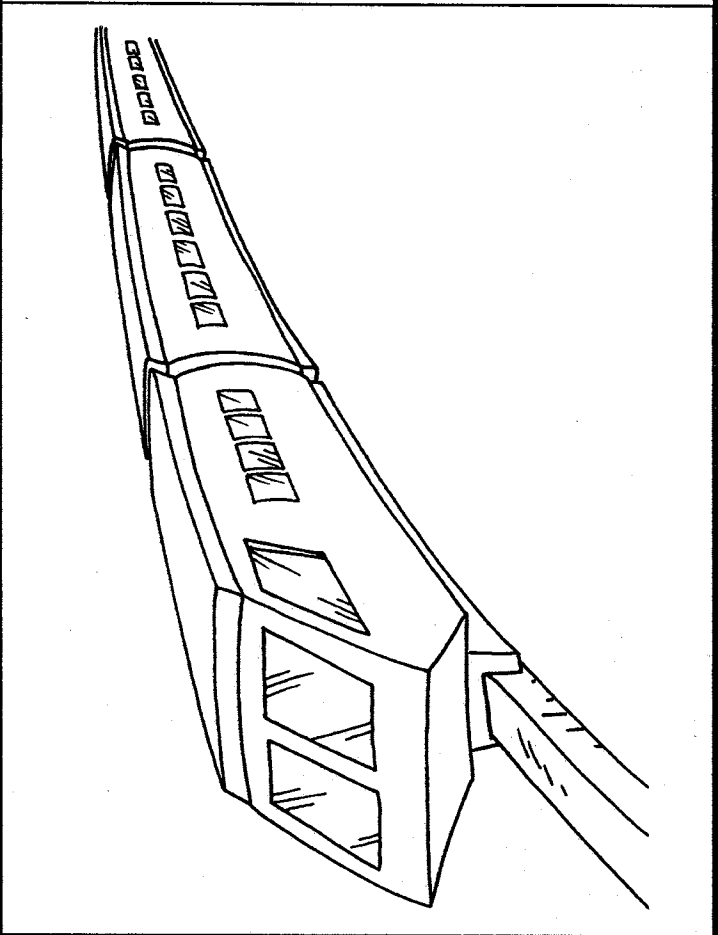
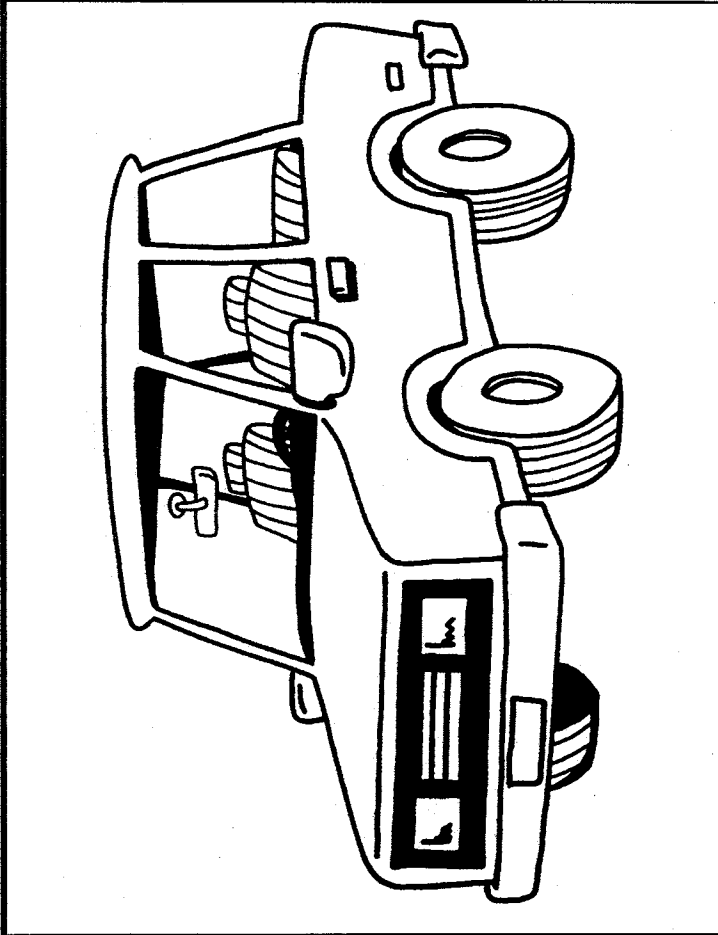
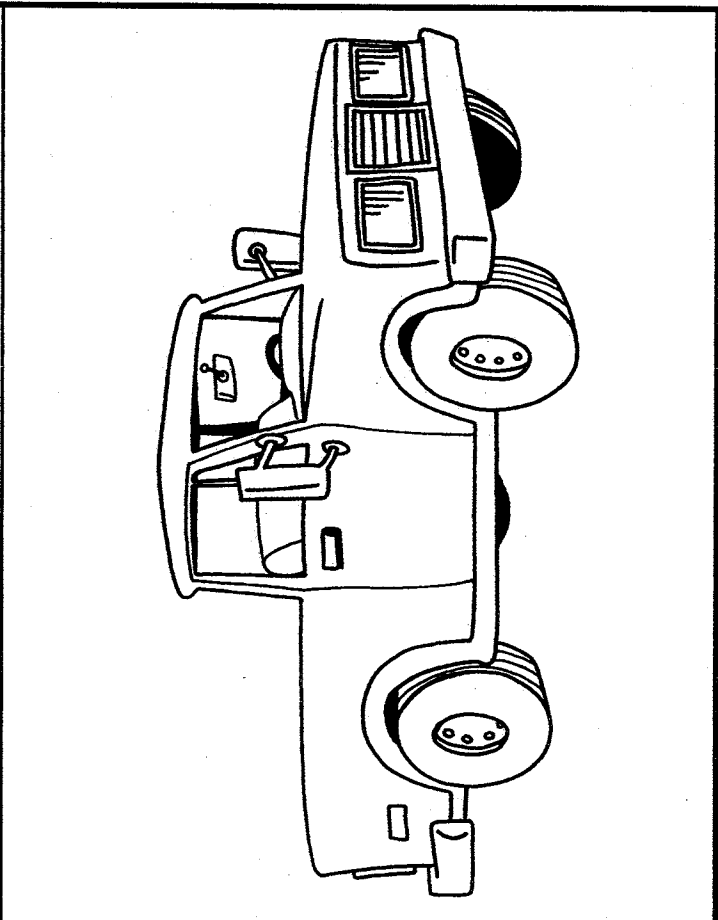
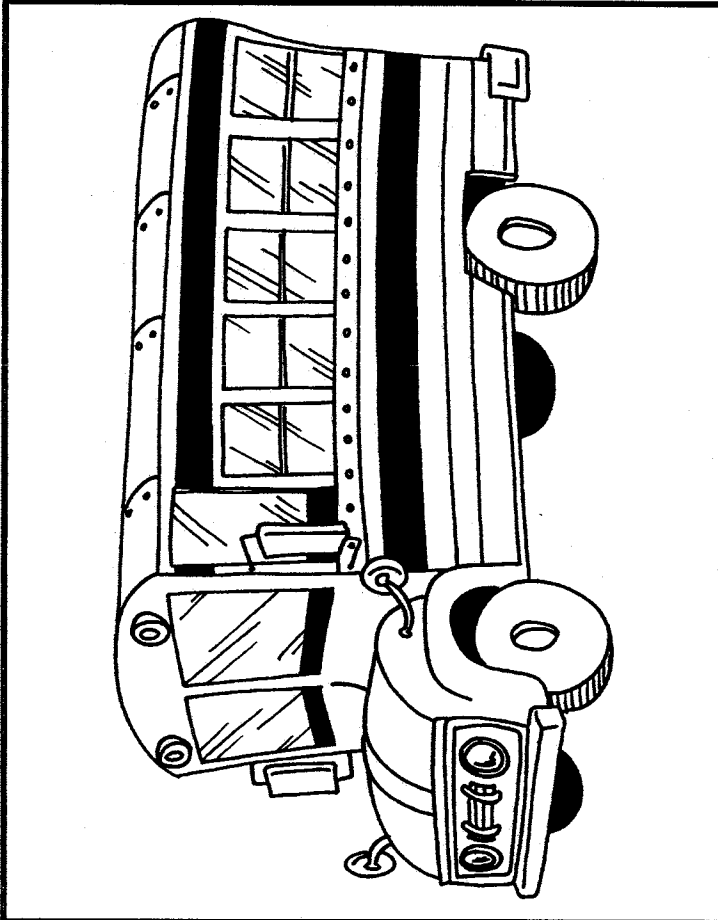
Ways We Travel

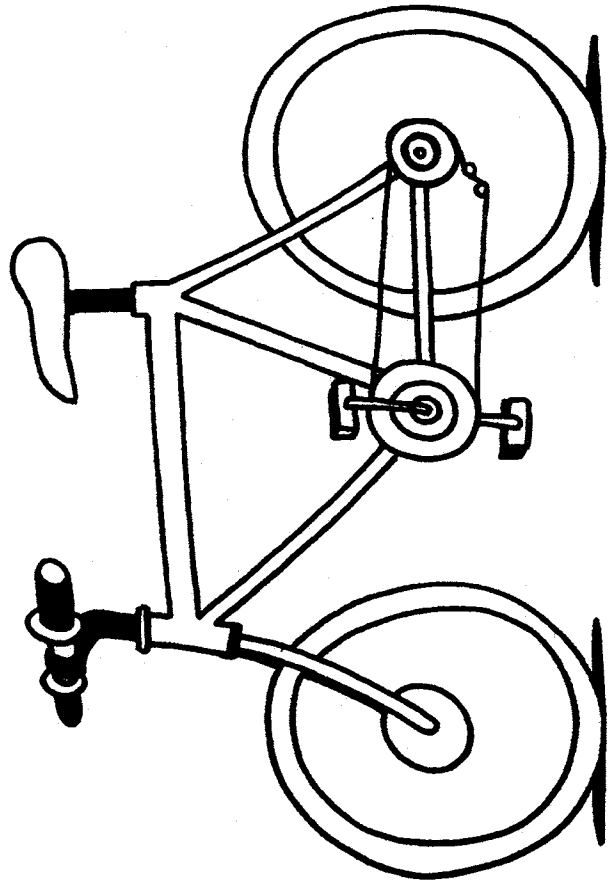
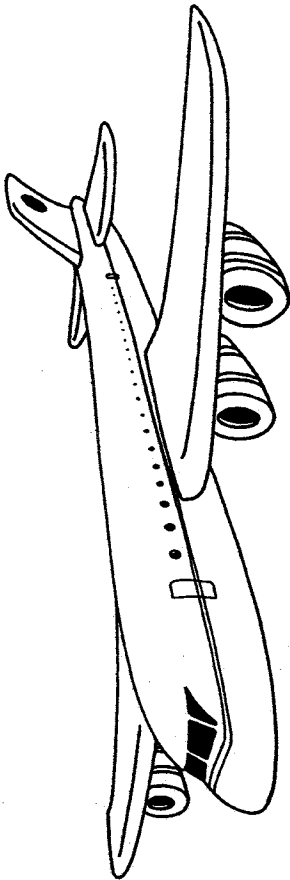
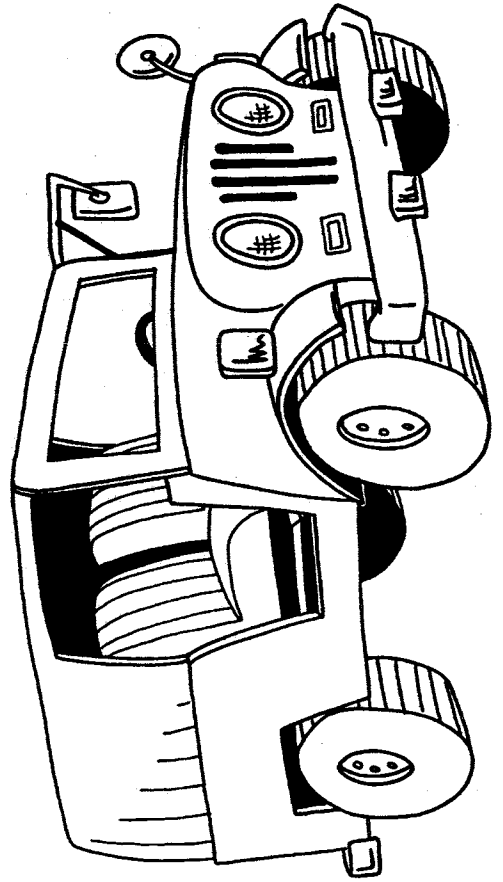
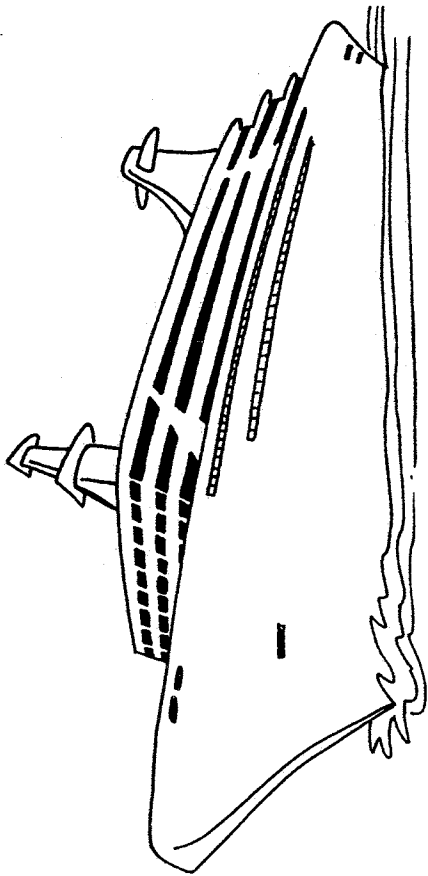
Match the word cards that look the same.

e.g.

car

car





bus

truck

boat

jeep

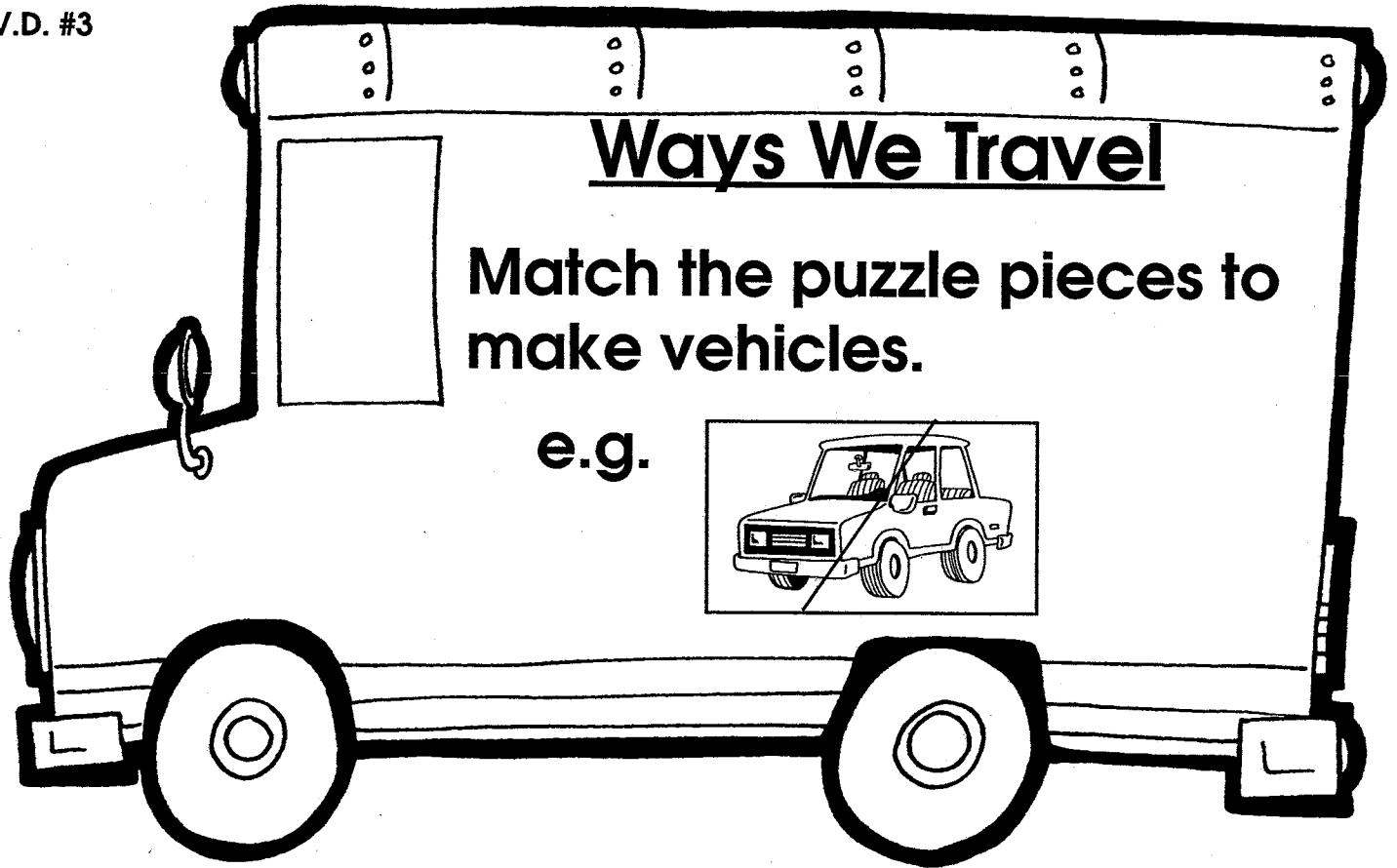
car

train

airplane

bicycle

V.D. #3



V.D. #3

